



Part No: ETS120416UTC-P5P-SZ

Date: 2/2008

Unit: mm

Description: 12VDC 4.16A Switching DT

Page No: 1 of 7

Input

Rated input voltage	100 V ~ 240 V ac
Input voltage range	90 V ~ 264 V ac
Rated frequency	50~60 Hz
Frequency range	47~63 Hz
Rated input current	1.4 A RMS max.
Inrush current	25 A max. at 115 / 50 A max. at 230 V ac cool start
No load power consumption	0.5 W max. (CEC Compliant)

Output

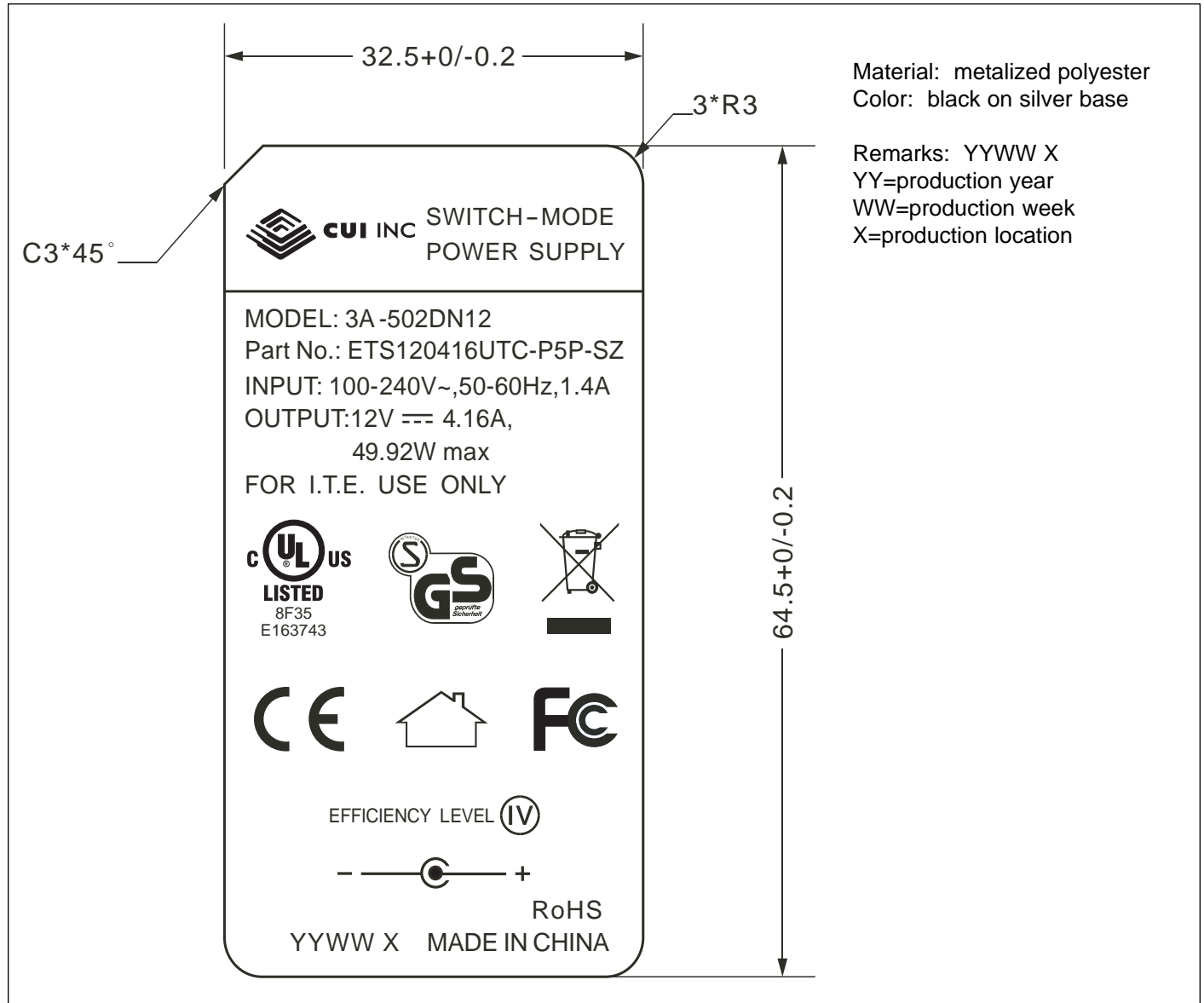
Output voltage	12 V dc at 4.16 A
Output min. current	0 A
Line regulation	± 2%
Load regulation	± 5%
Over voltage protection	18 V dc max.
Short circuit protection	output shut down and auto restart
Ripple voltage	120 mV (p-p) (100~240 V ac at full load)
Efficiency	Energy Star Compliant - Efficiency Level IV

Safety and EMI

HI-POT	input to output	1500 V ac or 2121 V dc at 10 mA for 1 min.
Insulation resistance	input to output	> 100 M Ohm at 500 V dc
Safety approvals	UL/cUL, GS	
EMI standard	FCC class B, CE	
RoHS compliant	yes	
Leakage current	3.5 mA	

Environmental

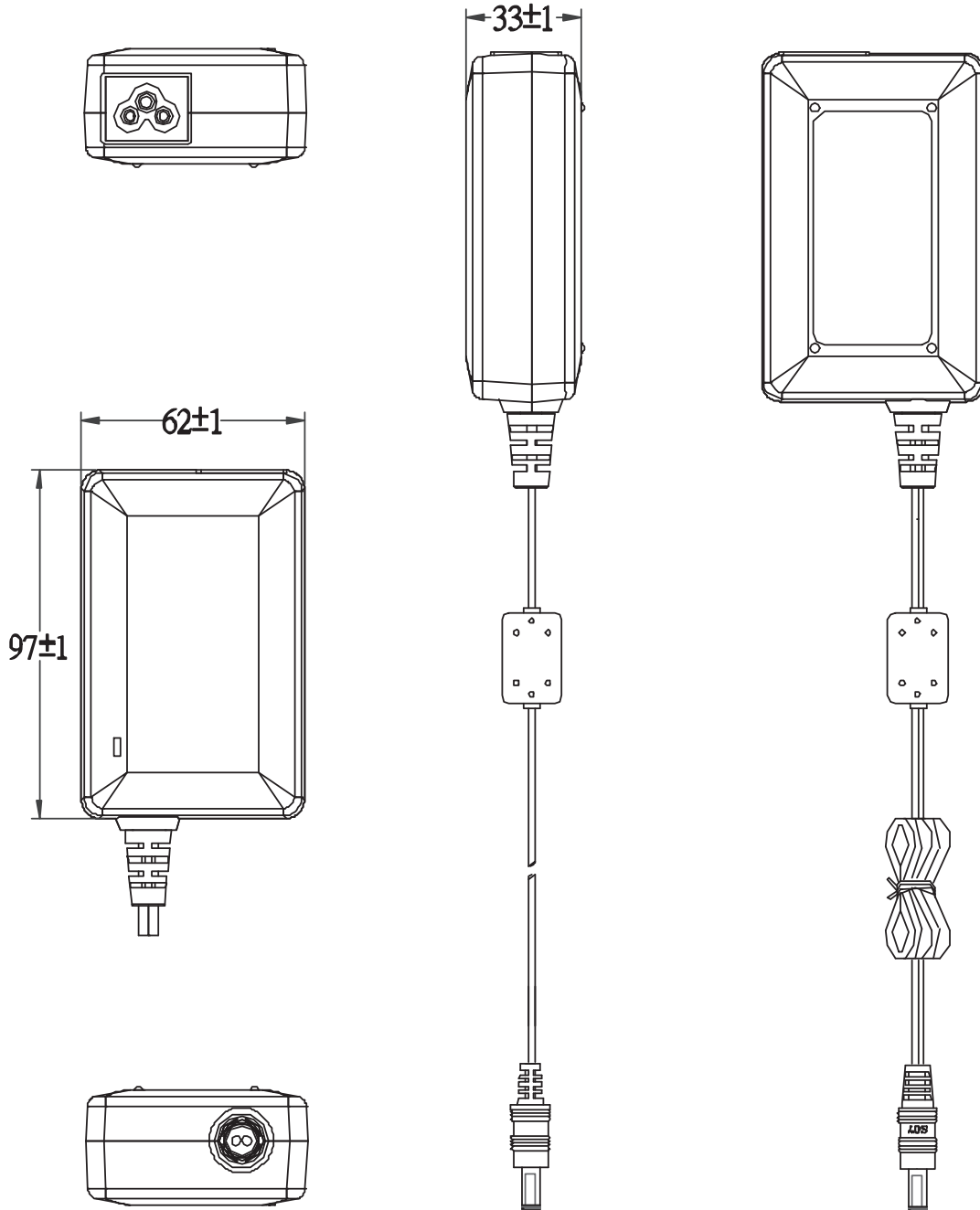
Storage temperature	-10°C ~ +70° C
Operating temperature	0°C ~ +40° C
Storage humidity	10~90%
Operating humidity	20~80%

Label


Mechanical Drawing

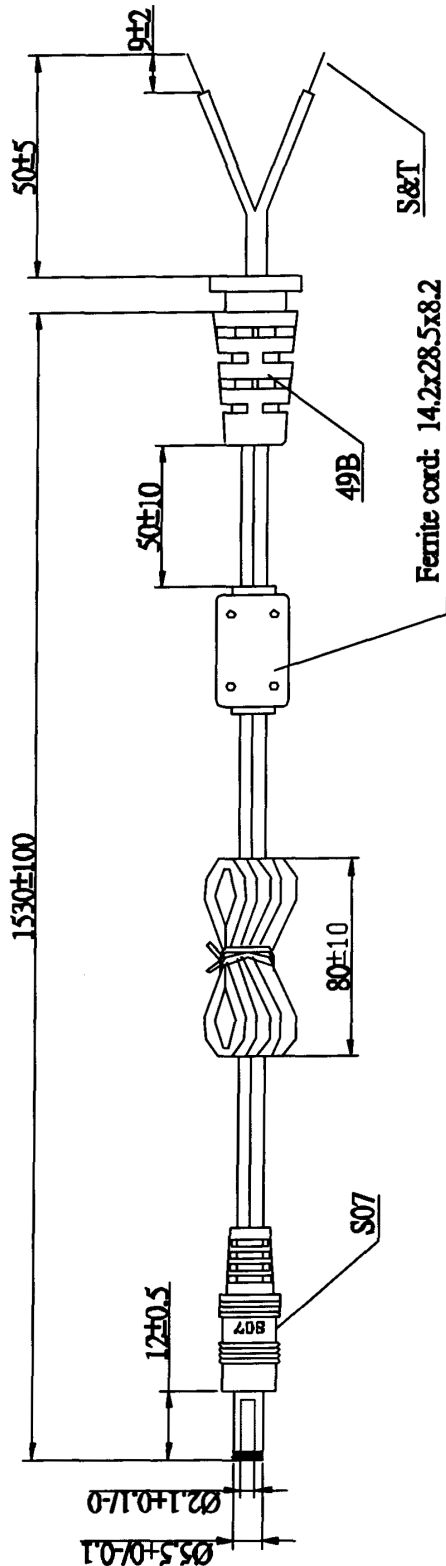
 Tolerance: ± 1

Input plug	Inlet IEC320 3Pin Type
Weight	500 g
Case size	97 L x 62 W x 33 H mm





DC Cord



#18AWG X2C SPT-1 105°C HAVE ON WORD WIRE IN OUTER, NO WORD WIRE IN INNER

WIRE OD: $\phi 2.7X5.4$



Parameter request	a. $\pm 60^\circ$ b. WEIGHT 200g c. 40 ROUND/MINUTE d. OVER 1000 COUNT MIN
VIBRATION TEST	



CUI INC

Part No: ETS120416UTC-P5P-SZ

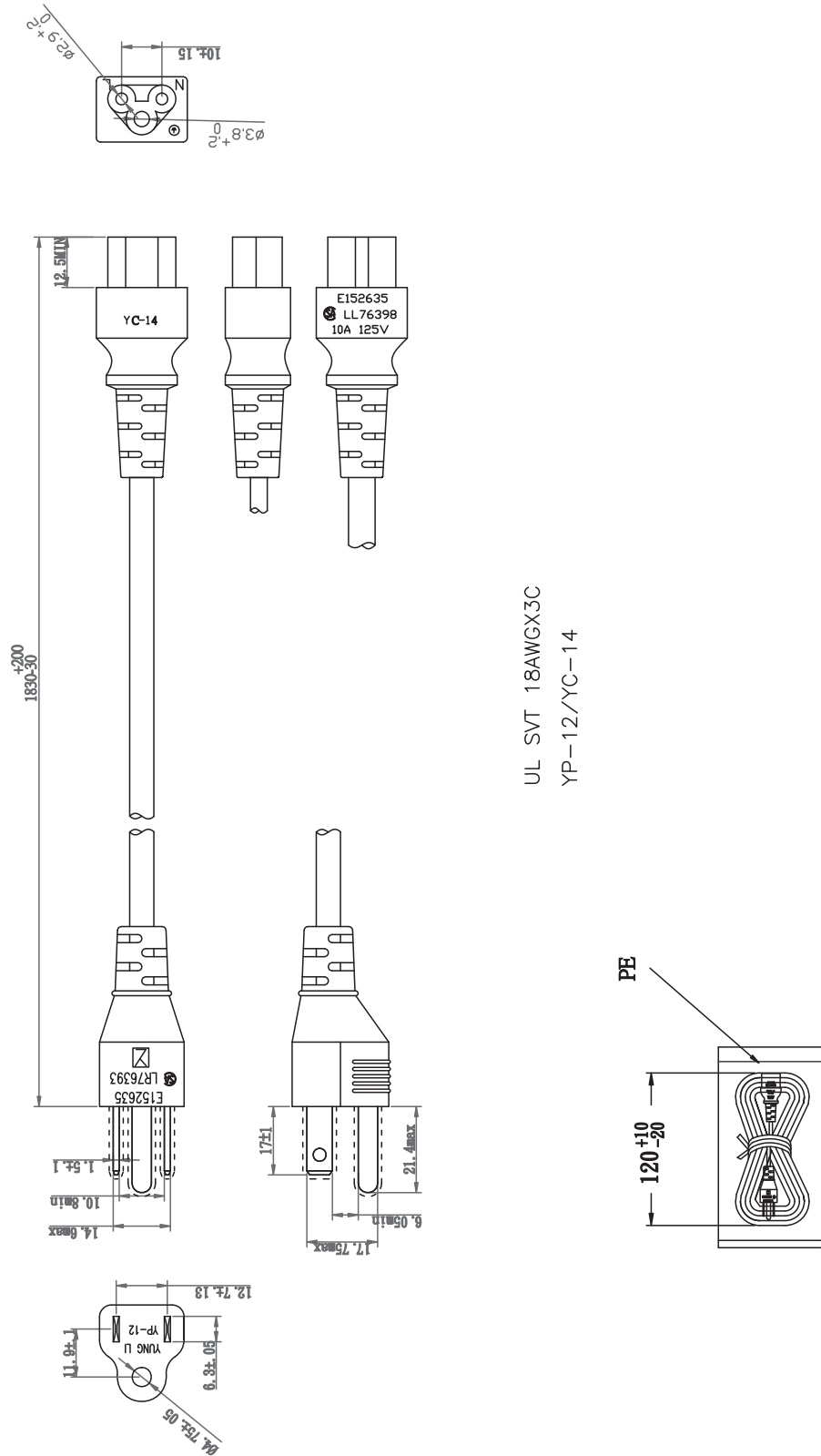
Date: 2/2008

Unit: mm

Description: 12VDC 4.16A Switching DT

Page No: 5 of 7

AC Cord





CUI INC

Part No: ETS120416UTC-P5P-SZ

Date: 2/2008

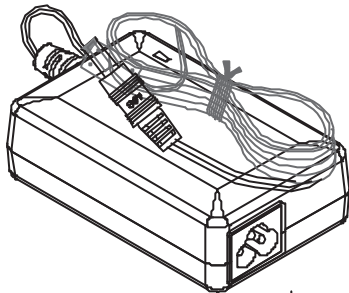
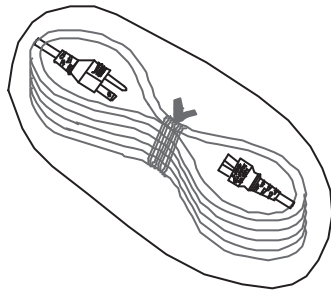
Description: 12VDC 4.16A Switching DT

Unit: mm

Page No: 6 of 7

Individual Packaging

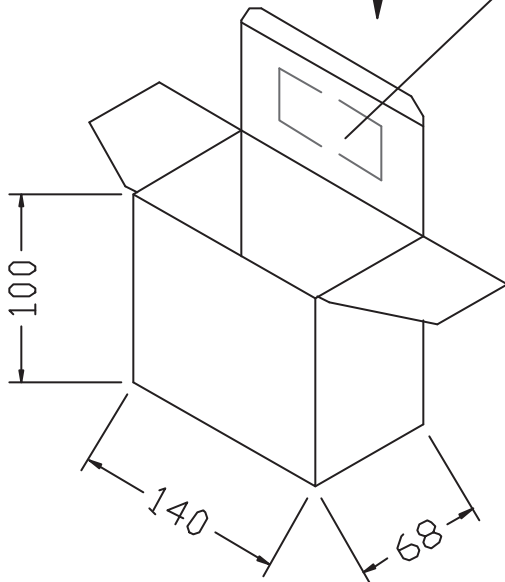
Tolerance: ± 1



RoHS Compliant

50 \pm 1

10 \pm 1





Packaging

Tolerance: +7/-0

CARTON SIZE: 445X367X238mm

Q' TY: 30pcs(15x2x1)

N. W: 15. 0KGS

G. W: 15. 5KGS

G. W: 16. 3KGS

"RoHS Compliant"

